



JaecoFRAM 1 Model Number Cross Reference

Old Model Number	New Model Number
N/A	511-023
4093	511-035
4094	511-043
N/A	511-048
4095	511-058
4097	511-072
4108	511-086
41011	511-115
41017	511-172
N/A	519-023
4183	519-035
4184	519-043
N/A	519-048
4185	519-058
4197	519-072
4198	519-086
41911	519-115
42017	519-172



JaecoFRAM 1 Gear Reducer Parts List

Reference DWG 00188 & 50129

Complete Pump Model & Serial # are required on all parts orders

Item #	Part #	Description
201	41014-P121	Oil Plug
202	00019-P231	Screw, Hex Head Cap
203	00045-P001	Cap, Input (Blind)
204	00059-P030	Gasket, Input
205	00175-P001	Input Adjuster
206	00067-G001	Bearing Set, Input
207	50075-P050	Fill Plug
208	00028-P021	Key
209	00044-P001	Input Spacer
210	00046-P001	Cap, Input (Open)
211	00062-P020	Oil Seal, Input
212	00057-P021	Output Shaft
213	00062-P010	Oil Seal, Output
214	00041-G001	Gasket Set, Output
215	00068-G001	Bearing Set, Output
216	00051-P001	Housing, Gear Reducer
217	00117-G00X	Gear Set (Input Worm & Output Gear)
218	00060-P001	Output Spacer
219	00052-P021	Cap, Output
220	00019-P231	Screw, Hex Head Cap
221	00121-P080	Nyltite Washer
222	50025-P001	Bearing Housing
223	00015-P131	Screw, Socket Head Cap
224	00064-P131	O-Ring
225	00010-G001	Breather Assembly
N/A	50076-P020	EP-50 Hydraulic Oil, Quart (Pump Housing)
N/A	50076-P040	EP-150 Gear Oil, Pint

Replacement Gear Reducers

Part #	Description
91201-GXX1	JaecoFRAM Simplex Gear Reducer
91201-GXX2	JaecoFRAM Duplex Gear Reducer



JaecoFRAM 1 Pump Parts List

Reference DWG 50130

Complete Pump Model & Serial # are required on all parts orders

Item #	Part #		Description
	Model 511	Model 519	
501	50002-P005	50001-P005	Pump Housing
505	50007-G021	50007-G011	Relief Valve Assembly
507	50024-P001	50024-P001	Eccentric
508+	50027-P005	50027-P005	Bearing, Eccentric
509	50044-G001	50044-G002	Crosshead/Plunger Assembly
511	50030-P021	50030-P011	Adjuster
513	50031-P005	50031-P005	Guide
514	50032-P005	50032-P005	Bushing
515	50034-P002	50034-P002	Knob, Stainless Steel
516	50037-P002	50037-P002	Capacity Scale
518	50011-P011	50011-P011	Nut
520	00015-P111	00015-P111	Cap Screw, Socket Head (Pump Housing)
522	00018-P151	00018-P151	Set Screw, Socket Head (Air Bleed)
523	00018-P121	00018-P121	Set Screw, Socket Head (Eccentric)
524	41016-P121	41016-P121	Pipe Plug, Socket Head
525	00028-P011	00028-P011	Key, Eccentric
526+	00064-P171	00064-P171	O-Ring, Bushing
528+	00064-P141	00064-P141	O-Ring, Pump Housing
529+	00064-P151	00064-P161	O-Ring, Adjuster
531	00121-P060	00121-P060	Washer
532	50136-P001	50136-P001	Screen
533+	50076-P020	50076-P020	EP-50 Hydraulic Oil, Quart (Pump Housing)
534	50075-P010	50075-P010	Plug, Airbleed
535	50075-P030	50075-P030	Plug, Solid w/ O-Ring
536	50075-P060	50075-P060	Plug w/ Vent Hole
537	00010-G002	00010-G002	Cap w/ Breather Assembly
41	00037-G002	00037-G002	Coupling Assembly, 5/8" X 5/8" (NEMA 56 Motor)
43	00019-G041	00019-G041	Gear Reducer Bolt (Set of 4)
44	00190-G002	00190-G002	Motor Support w/ Hardware (Set of 4)
45	00028-P011	00028-P011	Key, Coupling
46	00183-P001	00183-P001	Baseplate, NEMA 56
51	00169-G005	00169-G005	Guard, Coupling w/ Mounting Screws

+ Recommended Spare Part



JaecoFRAM 1 Liquid End Parts List

Reference DWG 50131
Complete Pump Model & Serial # are required on all parts orders

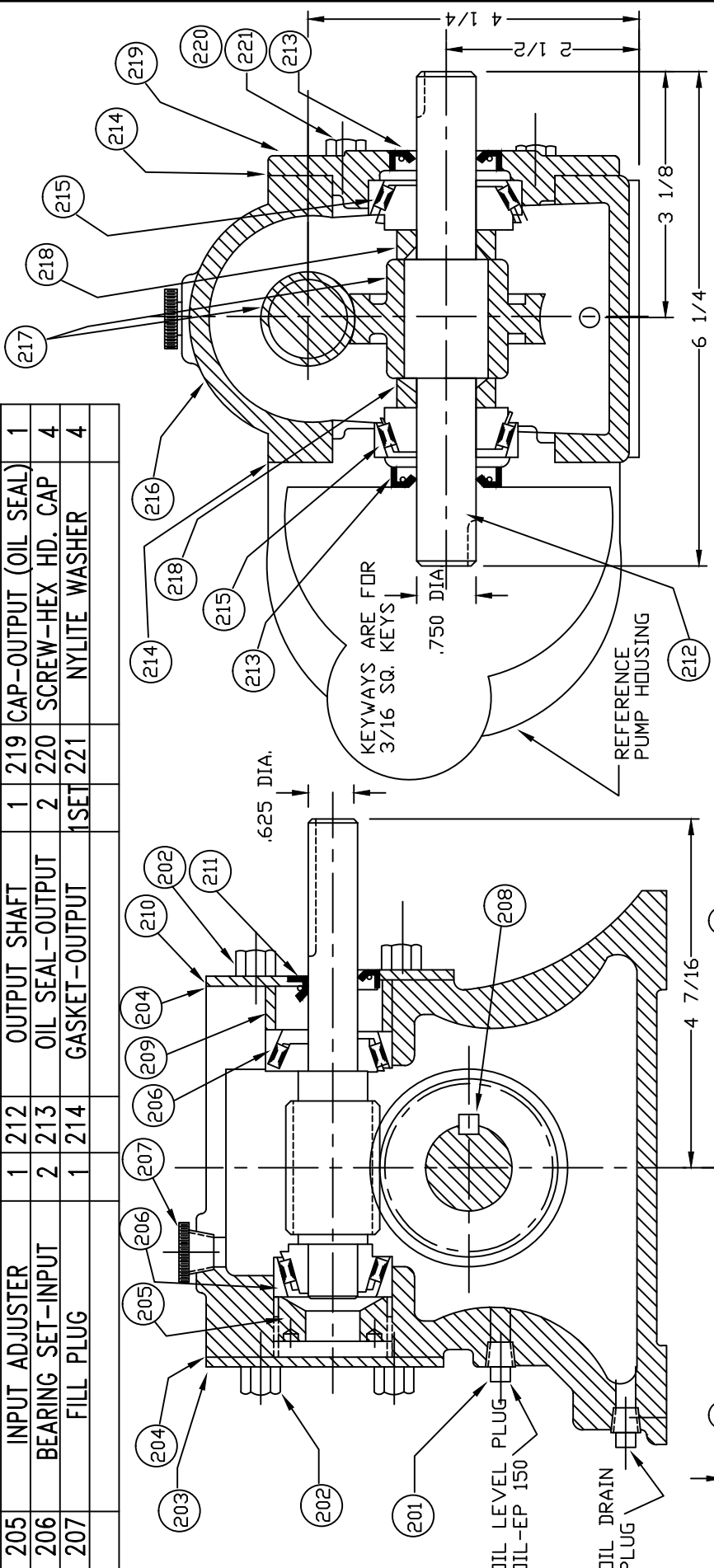
Item #	Description	Pump Series	Part #			
			316 SS	Alloy 20	HAST. C	PVC
540+	3/8" Check Valve Assembly Single Ball	Standard #511 Suction & Discharge #519 Discharge	00203-G003	00203-G004	00203-G006	N/A
541+	3/8" Check Valve Assembly Double Ball w/ Spring	Optional #511 & #519 Discharge	50017-G012	50017-G013	N/A	N/A
542	Head, Diaphragm w/ Bolts	#511 Only	50164-P003	50164-P004	50164-P006	N/A
543++	Diaphragm, TFE	#511 & 519	50036-P009	50036-P009	50036-P009	50036-P009
544	Bolt, Long (Head)	#519 Only	00019-P172	00019-P172	00019-P172	N/A
544	Bolt (Head)	#511 Only	00019-P172	00019-P172	00019-P172	N/A
545	Bolt, Short (Head)	#519 Only	00019-P252	00019-P252	00019-P252	N/A
546+	3/8" Check Valve Assembly Double Ball	Optional #511 Suction Only	50017-G022	50017-G023	N/A	N/A
549	Head, Diaphragm w/ Bolts	#519 Only	50134-P003	50134-P004	50134-P006	N/A
553+	1/2" Check Valve Assembly Single Ball	Standard #519 Only	50155-G003	50155-G004	50155-G006	N/A
554+	1/2" Check Valve Assembly Double Ball	Optional #519 Suction Only	50021-G002	50021-G003	N/A	N/A
555	3/8" Check Valve Assembly Single Ball	Standard #511 Suction & Discharge #519 Discharge	N/A	N/A	N/A	00203-G008
556+	3/8" Check Valve Assembly Double Ball	Optional #511 Suction & Discharge #519 Discharge	N/A	N/A	N/A	50023-G001
557	Head, Diaphragm w/ Bolts	#511	N/A	N/A	N/A	50006-P008
559	Head Plate, Diaphragm	#511 & 519	N/A	N/A	N/A	50078-P001
560	Bolt (Head)	#511 & 519	N/A	N/A	N/A	00019-P092
563	Head, Diaphragm w/ Bolts	#519	N/A	N/A	N/A	50004-P008
567+	1/2" Check Valve Assembly Single Ball	Standard #519 Suction Only	N/A	N/A	N/A	50021-G008
568+	1/2" Check Valve Assembly Double Ball	Optional #519 Suction Only	N/A	N/A	N/A	50021-G008

+ Recommended Spare Part

++ Requires Item #533, (see JaecoFRAM Pumps Part List) when replacing Diaphragm (EP-50 Hydraulic Oil)

IMPORTANT: WHEN ORDERING SPARE PARTS, BE SURE TO INCLUDE PUMP MODEL NO. AND SERIAL NO.

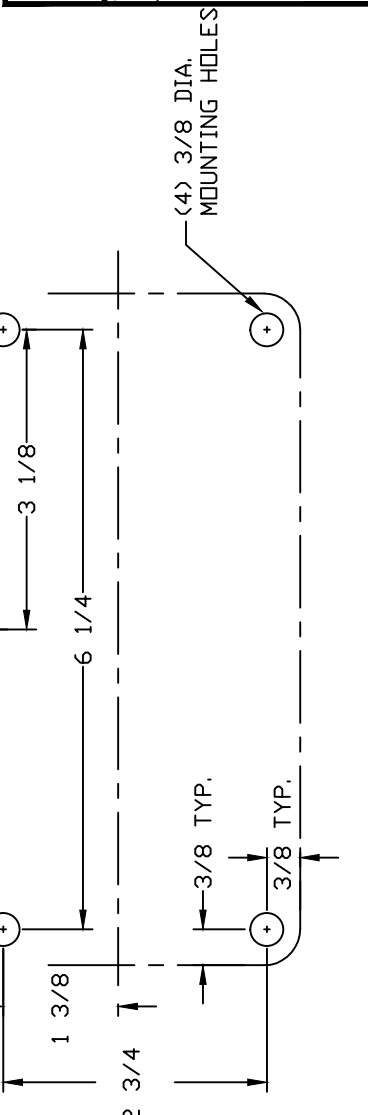
ITEM	DESCRIPTION	QTY	ITEM	DESCRIPTION	QTY	ITEM	DESCRIPTION	QTY.
201	OIL PLUG	2	208	KEY	1	215	BEARING SET OUTPUT	2
202	SCREW-HEX HD CAP	8	209	INPUT SPACER	1	216	HOUSING	1
203	CAP-INPUT(BLIND)	1	210	CAP-INPUT(OIL SEAL)	1	217	GEAR SET	1SET
204	GASKET-INPUT	2	211	OIL SEAL-INPUT	1	218	HUB SPACER	2
205	INPUT ADJUSTER	1	212	OUTPUT SHAFT	1	219	CAP-OUTPUT (OIL SEAL)	1
206	BEARING SET-INPUT	2	213	OIL SEAL-OUTPUT	2	220	SCREW-HEX HD. CAP	4
207	FILL PLUG	1	214	GASKET-OUTPUT	1SET	221	NYLITE WASHER	4



NOTICE: THIS DRAWING IS THE PROPERTY OF AND CONTAINS DESIGN DATA WHICH ARE PROPRIETARY TO JAEKO FLUID SYSTEMS, INC. REPRODUCTION, USE OR TRANSFER OF THIS DRAWING OR ANY INFORMATION CONTAINED HEREIN TO OTHERS EXCEPT AS SPECIFICALLY AUTHORIZED IN CONNECTION WITH THIS PROJECT ONLY, IS NOT PERMITTED WITHOUT PRIOR WRITTEN APPROVAL OF JAEKO FLUID SYSTEMS, INC.

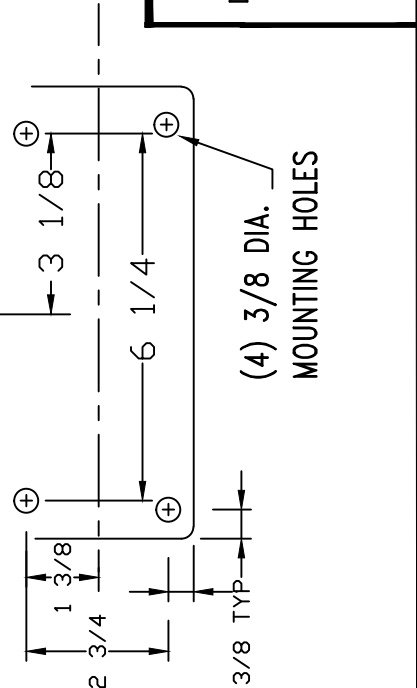
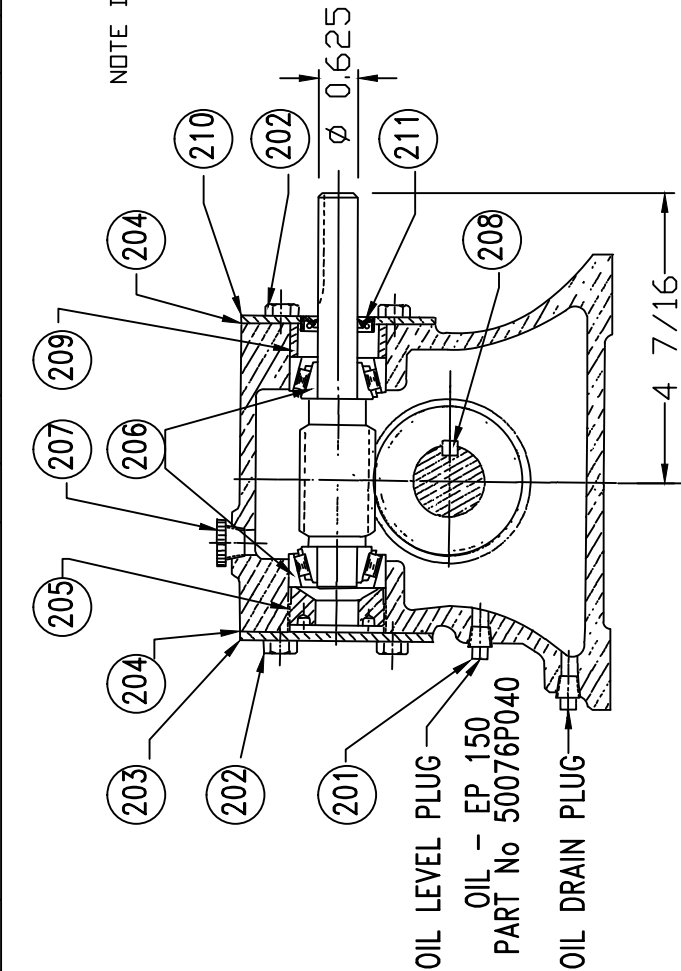
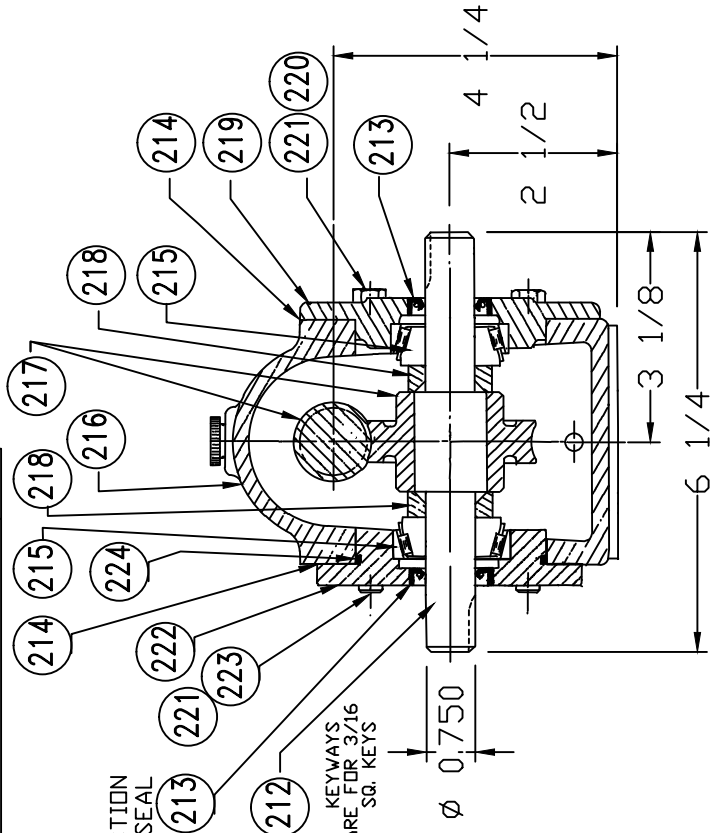
1) REDRAWN 5-25-05 JPC	UNLESS OTHERWISE SPECIFIED DIMENSIONS IN INCHES
	MACHINE TOLERANCE DECIMAL ± .005 FRACTIONS ± 1/64 ANGLES ± 0°-30

JAEKO FLUID SYSTEMS, INC. 17 LEE BLVD. STE. D MALVERN, PA. 19355-1234	
DATE 8-30-88	GEAR REDUCER JAEKOPAK 1
DR PRT	DWG NO. 00188
CHKD	PAGE 14.02C
SCALE NONE	REV. 1



ITEM	DESCRIPTION	QTY	ITEM	DESCRIPTION	QTY	ITEM	DESCRIPTION	QTY
201	OIL PLUG	2	209	INPUT SPACER	1	217	GEAR SET	1SET
202	SCREW-HEX HD CAP	8	210	CAP-INPUT(OIL SEAL)	1	218	HUB SPACER	2
203	CAP-INPUT(BLIND)	1	211	OIL SEAL-INPUT	1	219	CAP-OUTPUT(OIL SEAL)	1
204	GASKET-INPUT	2	212	OUTPUT SHAFT	1	220	SCREW-HEX HD CAP	4
205	INPUT ADJUSTER	1	213	OIL SEAL-OUTPUT	2	221	NYLITE WASHER	8
206	BEARING SET-INPUT	2	214	GASKET-OUTPUT	1SET	222	BEARING HOUSING	1
207	FILL PLUG	1	215	BEARING SET-OUTPUT	2	223	SCREW-SOC HD CAP	4
208	KEY	1	216	HOUSING	1	224	O RING	1

IMPORTANT: WHEN ORDERING SPARE PARTS BE SURE TO INCLUDE PUMP MODEL NO. AND SERIAL NO.



NOTICE: THIS DRAWING IS THE PROPERTY OF AND CONTAINS DESIGN DATA WHICH ARE PROPRIETARY TO JAEKO FLUID SYSTEMS, INC. REPRODUCTION, USE OR TRANSFER OF THIS DRAWING OR ANY INFORMATION CONTAINED HEREIN TO OTHERS EXCEPT AS SPECIFICALLY AUTHORIZED IN CONNECTION WITH THIS PROJECT ONLY, IS NOT PERMITTED WITHOUT PRIOR WRITTEN APPROVAL OF JAEKO FLUID SYSTEMS, INC.

ASSEMBLY INCLUDING	
50129-60X1	JAEKO FLUID SYSTEMS, INC.
1-BRG. HSG222	17 LEE BLVD. STE. D
SIMPLEX 1-CAP OUTPUT 219	MALVERN, PA 19355-1234
50129-60X2	DATE 9-6-83
2-BRG. HSG 222	DR PRT
	CHKD
	SCALE NONE
	DWG NO. 50129
	REV. 0
	PAGE 54.03B
	GEAR REDUCER-JAECOFRAM 1

UNLESS OTHERWISE SPECIFIED DIMENSIONS ARE IN INCHES
MACHINE TOLERANCE DECIMAL ± .005 FRACTIONS ± 1/64 ANGLES ± 0°-30

ITEM	QTY.	DESCRIPTION
501	1	HOUSING
505	1	RELIEF VALVE ASSEMBLY
507	1	ECCENTRIC BEARING
508	1	CROSSHEAD-PLUNGER ASSEMBLY
509	1	ADJUSTER GUIDE
511	1	BUSHING
513	1	KNOB
514	1	CAPACITY SCALE
515	1	NUT, ACORN
516	1	SCREW SOC. HD. CAP
518	2	SET SCREW SOC.(AIR BLEED)
520	1	SETSREW, SOC.
522	1	PIPEPLUG, FLUSH KEY
523	1	O-RING (BUSHING)
524	1	O-RING(HOUSING)
525	1	O-RING(ADJUSTER)
526	2	WASHER
528	1	SCREEN
529	1 QT.	OIL, EP50 #50076P020
531	1	CAP PLUG
532	1	CAP
533	1	CAP W/VENT HOLE
534	1	CAP WITH BREATHER ASS' (OPTION)
535	1	
536	1	
537	1	

REFERENCE GEAR REDUCER OUTPUT SHAFT

NOTICE: THIS DRAWING IS THE PROPERTY OF AND CONTAINS DESIGN DATA WHICH ARE PROPRIETARY TO JACO FLUID SYSTEMS, INC. REPRODUCTION, USE OR TRANSFER OF THIS DRAWING OR ANY INFORMATION CONTAINED HEREIN TO OTHERS EXCEPT AS SPECIFICALLY AUTHORIZED IN CONNECTION WITH THIS PROJECT ONLY, IS NOT PERMITTED WITHOUT PRIOR WRITTEN APPROVAL OF JACO FLUID SYSTEMS, INC.

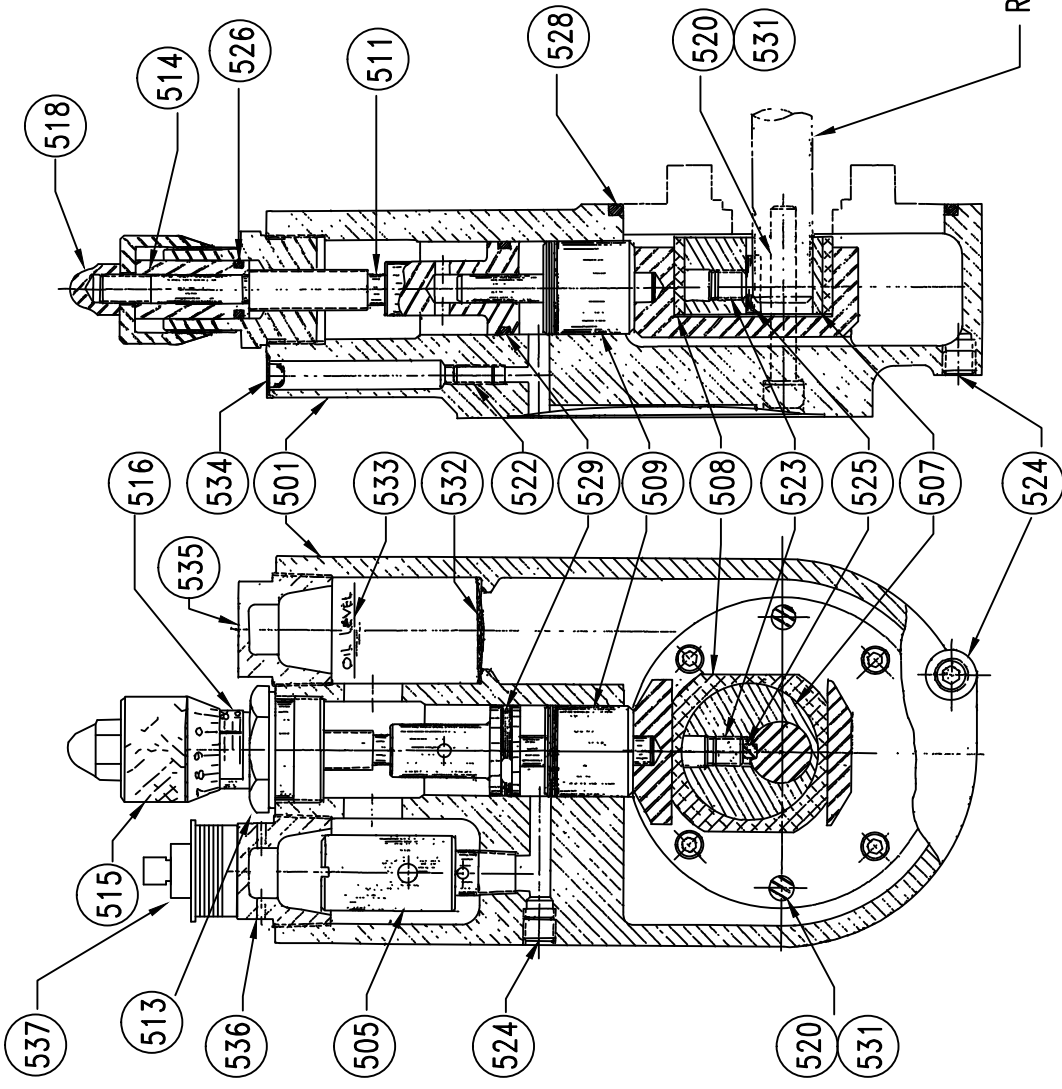
REVISIONS A. ADDED IT 536 CAP W/ VENT HOLE 11-27-85 TR B. REVISED R.V. & SCREEN 9-12-89 TR C. ADDED #537 CAP, CHANGED PAGE NO. 1/05 JPC		JACO FLUID SYSTEMS, INC. 17 LEE BLVD. STE. D MALVERN, PA 19355-1234
DATE	11-1-83	PARTS DRAWING, PUMP DRIVE JACOFRAM 1
DR	PRT	DWG NO. 50130
CHKD		REV.
SCALE	NONE	PAGE 54.01E
		C

UNLESS OTHERWISE SPECIFIED DIMENSIONS ARE IN INCHES

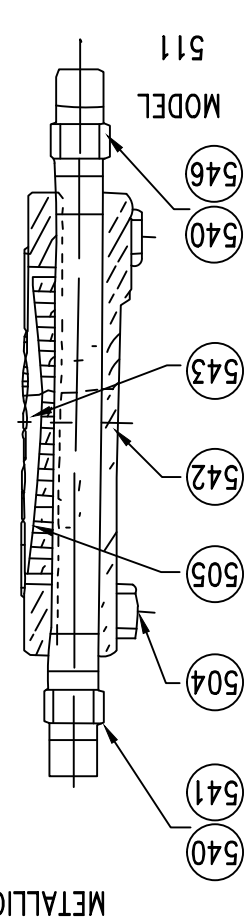
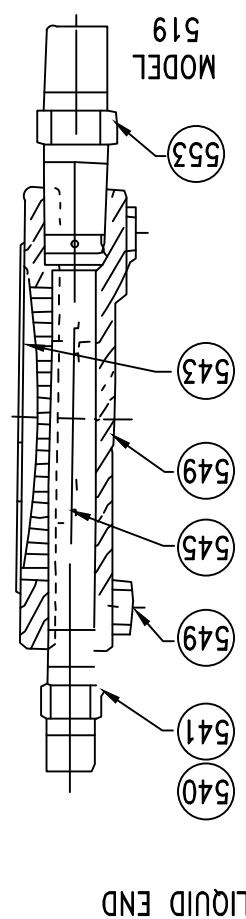
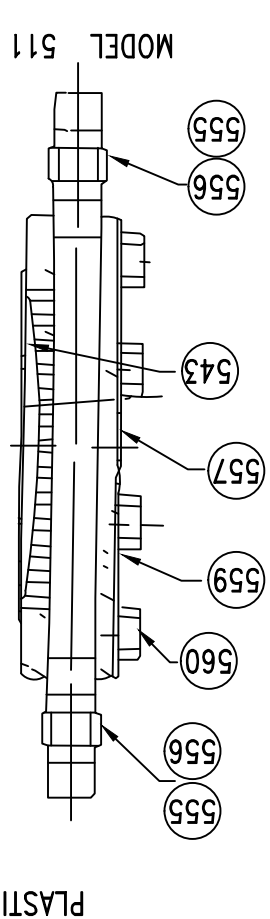
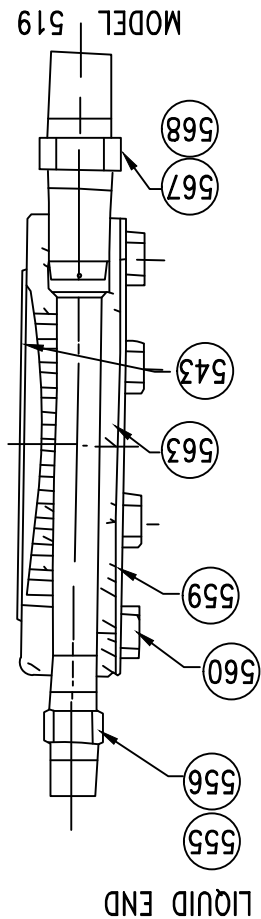
MACHINE TOLERANCE
 DECIMAL ± .005
 FRACTIONS ± 1/64
 ANGLES ± 0°-30

SEE GEAR REDUCER DWG. NO. 50129 AND LIQUID END PARTS DWG. NO. 50131 FOR COMPLETE PUMP

* INDICATES RECOMMENDED SPARE PARTS WHEN ORDERING SPARE PARTS BE SURE TO GIVE PUMP SERIAL & MODEL NUMBERS



ITEM QTY.	DESCRIPTION	MODEL	MATERIAL
* 540 2	3/8 VALVE ASSY. SINGLE BALL DISC./SUCTION. STD.	511	METALLIC
* 541 1	3/8 VALVE ASSY. DOUBLE BALL DISCH. OPTIONAL	511	METALLIC
* 542 1	DIAPHRAGM HEAD	511	METALLIC
* 543 1	DIAPHRAGM	511	METALLIC
* 544 4	3/8 BOLT (LONG)	511	METALLIC
* 545 4	3/8 BOLT (SHORT)	511	METALLIC
* 546 1	3/8 VALVE ASSY. DOUBLE BALL SUCTION. OPT.	511	METALLIC
* 540 1	3/8 VALVE ASSY. SINGLE BALL DISC. STD.	511	METALLIC
* 541 1	3/8 VALVE ASSY. DOUBLE BALL DISC. OPT.	511	METALLIC
* 549 1	DIAPHRAGM HEAD	511	METALLIC
* 543 1	DIAPHRAGM	511	METALLIC
* 544 4	3/8 BOLT (LONG)	511	METALLIC
* 545 4	3/8 BOLT (SHORT)	511	METALLIC
* 553 1	1/2 VALVE ASSY. SINGLE BALL SUCTION. STD.	511	METALLIC
* 554 1	1/2 VALVE ASSY. DOUBLE BALL SUCTION. OPT.	511	METALLIC
* 555 2	3/8 VALVE ASSY. SINGLE BALL DISC./SUCTION. STD.	511	METALLIC
* 556 2	3/8 VALVE ASSY. DOUBLE BALL DISC./SUCTION. OPT.	511	METALLIC
* 557 1	DIAPHRAGM HEAD	511	METALLIC
* 543 1	DIAPHRAGM	511	METALLIC
* 559 1	DIAPHRAGM HEAD PLATE	511	METALLIC
* 560 8	3/8 BOLT	511	METALLIC
* 555 1	3/8 VALVE ASSY. SINGLE BALL DISC. STD.	511	METALLIC
* 556 1	3/8 VALVE ASSY. DOUBLE BALL DISC. OPT.	511	METALLIC
* 563 1	DIAPHRAGM HEAD	511	METALLIC
* 543 1	DIAPHRAGM	511	METALLIC
* 559 1	DIAPHRAGM HEAD PLATE	511	METALLIC
* 560 8	3/8 BOLT	511	METALLIC
* 567 1	1/2 VALVE ASSY. SINGLE BALL SUCTION. STD.	511	METALLIC
* 568 1	1/2 VALVE ASSY. DOUBLE BALL SUCTION. STD.	511	METALLIC
		519	METALLIC
		519	METALLIC
		511	METALLIC
		511	METALLIC



REVISIONS		JAECO FLUID SYSTEMS, INC. 17 LEE BLVD. STE. D MALVERN, PA. 19355-1234	
* INDICATES RECOMMENDED SPARE PARTS		DATE	PARTS DRAWING-LIQUID END JAECOFRAM 1
WHEN ORDERING SPARE PARTS BE SURE TO GIVE PUMP SERIAL & MODEL NUMBERS		DR	11-15-83
		CHKD	PRT
		SCALE	DWG NO. 50131
			REV. 0
			PAGE 54.02B

NOTICE: THIS DRAWING IS THE PROPERTY OF AND CONTAINS DESIGN DATA WHICH ARE PROPRIETARY TO JAECO FLUID SYSTEMS INC. REPRODUCTION, USE OR TRANSFER OF THIS DRAWING OR ANY INFORMATION CONTAINED HEREIN TO OTHERS EXCEPT AS SPECIFICALLY AUTHORIZED IN CONNECTION WITH THIS PROJECT ONLY, IS NOT PERMITTED WITHOUT PRIOR WRITTEN APPROVAL OF JAECO FLUID SYSTEMS, INC.